

GOT Simple – GS Series

GS General Specifications

Item	Specifications					
Operating Ambient Temperature	0 to 50°					
Storage Ambient Temperature	-20 to 60°					
Operating/Storage Ambient Humidity	10 to 90%RH, non-condensing					
Vibration Resistance	Conforms to IEC 61131-2	Under intermittent vibration	Frequency	Acceleration	Half-Amplitude	Sweep Count
			5 to 8.4Hz	-	3.5mm	
		Under continuous vibration	8.4 to 150Hz	9.8m/s ²	-	10 times each in X, Y and Z directions
			5 to 8.4Hz	-	1.75mm	
		8.4 to 150Hz	4.9m/s ²	-	-	
Shock Resistance	Conforms to IEC 61131-2 (147m/s ² , 3 times each in the X, Y, and Z directions)					
Operating Atmosphere	Must be free of lamp black, corrosive gas, flammable gas, or excessive amount of electro conductive dust particles. Must be no direct sunlight. (Same as for saving)					
Operating Altitude (*1)	2000m or less					
Overvoltage Category (*2)	II or less					
Pollution Degree (*3)	2 or less					
Cooling Method	Self-cooling					
Grounding	Type D grounding (100Ω or less). Connect to panel if unable to ground.					

Notes:

- Do not use or store the GOT under pressures higher than the atmospheric pressure of altitude 0m (0ft). Failure to observe this instruction may cause a malfunction. When the air inside the control panel is purged by pressurization, the surface sheet may be lifted by high pressure. As a result, the touch panel may be difficult to press, and the sheet may be peeled off.
- This indicates the section of the power supply to which the equipment is assumed to be connected between the public electrical power distribution network and the machinery within the premises. Category II applies to equipment for which electrical power is supplied from fixed facilities. The surge voltage withstand level for up to the rated voltage of 300V is 2500V.
- This index indicates the degree to which conductive pollution is generated in the environment where the equipment is used. In pollution degree 2, only non-conductive pollution occurs but temporary conductivity may be produced due to condensation. Do not use or store the GOT under direct sun light or in an environment with excessively high temperature, dust, humidity or vibration. For inquiries relating to the status of conforming to UL, cUL, and CE directives and shipping directives, please contact your local sales office.

GS Base Units

Category	Model Number	Screen Size	Display Section	Display Color	Panel Color	Power Supply	Stocked Item
GS21	GS2110	GS2110-WTBD-N	10" WVGA	TFT color	65536 colors	Black	24VDC
	GS2107	GS2107-WTBD-N	7" WVGA				
GS25	GS2512	GS2512-WXTBD	12" WXGA				

GS Power Supply

Model Number	GS2110-WTBD-N	GS2107-WTBD-N	GS2512-WXTBD
Power Supply Voltage	24VDC (+10%, -15%), ripple voltage 200mV or less		24 VDC (+10%, -15%)
Power Consumption	7.6W (317mA/24V) or less		6.5W (271mA/24V) or less
With Backlight Off	3.8W (158mA/24V) or less		3.8W (158mA/24V) or less
Inrush Current	17A or less (6ms, ambient temperature 25°C, maximum load)		59A or less (2 ms, ambient temperature: 25°C, under the maximum load)
Allowable Momentary Power Failure Time	Within 5ms		5ms or less
Noise Immunity	Conforms to IEC61000-4-4, 2kV (power supply line)		Noise voltage: 500 Vp-p, noise width: 1 μs, measured by a noise simulator with noise frequency ranging from 25 Hz to 60 Hz
Withstand Voltage	350VAC for 1 minute between power supply and ground		
Insulation Resistance	10MΩ or higher with an insulation resistance tester (500VDC between power supply terminal and ground)		

GS Installer Installation Procedure

- Double click the GS Installer (GS Installer.exe) in the folder of the installer for GT Works3 1.290C or later
- When the installation completed message appears, click the [Finish] button.

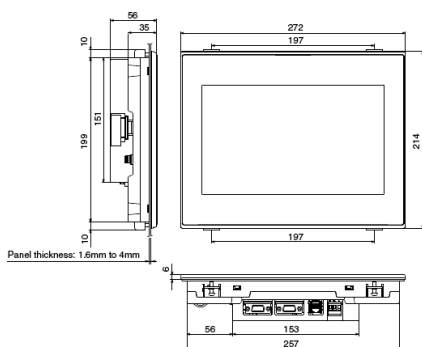
<Root>\Disk1\TOOL\GS

GS Performance Specifications

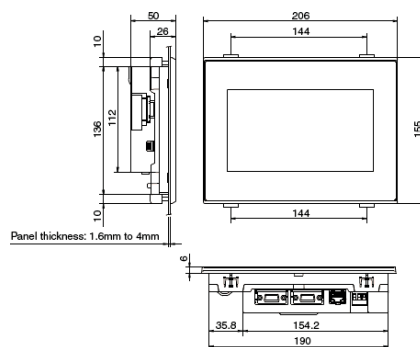
Model Number		GS2110-WTBD-N	GS2107-WTBD-N	GS2512-WXTBD
Display Section	Display Device	TFT color LCD		
	Screen Size	10"	7"	12.1" wide screen
	Resolution	800 x 480 dots		WXGA: 1280 x 800 dots
	Display Size (W x H) mm (inch)	222 x 132.5 (8.74 x 5.22) (Horizontal format)	154 x 85.9 (6.06 x 3.38) (Horizontal format)	261.12 x 163.2 (10.28 x 6.43)
	Number of Characters	16-dot standard font: 50 chars. x 30 lines (2-byte) (Horizontal format)		16-dot standard font: 80 chars. x 50 lines (two-byte chars.); 12-dot standard font: 106 chars. x 66 lines (two-byte chars.)
	Display Color	65536 colors		
	Backlight	LED (not replaceable) Backlight off/screen saving time can be set		LED (Not replaceable)
Touch Panel	Type	Analog resistive film		
	Key Size	Minimum 2 x 2 dots (per key)		Minimum 2 x 2 dots (per key) (*7)
	Simultaneous Press	Simultaneous press prohibited (only 1 point can be pressed)		Not available (Only 1 pt can be touched) (*5)
	Life	1 million times (operating force 0.98N or less)		
Memory	C Drive	Flash memory (internal) (15MB), for storing project data, OS Life (No. of writings) 100000 times		Memory for storage (ROM): 32 MB, Memory for operation (RAM): 128 MB Life (number of write times) 100000 times
Built-in Clock Precision		-		±90 seconds/month (Ambient temperature: 25°C)
Battery		-		GT11-50BAT lithium battery; Life: Approx. 5 years (Ambient temperature: 25°C)
Built-in Interface	RS-422/485	RS-422/485, 1ch; Transmission speed: 115200/57600/38400/19200/9600/4800bps Connector shape: D-Sub 9 pin (female); Application: For communication with controllers Terminating resistor: 330Ω, 110Ω, OPEN (Selectable by the terminating resistor setting switch)		1 channel, transmission speed: 115200, 57600, 38400, 19200, 9600, 4800 bps Connector shape: D-sub 9-pin (female)
	RS-232	RS-232, 1ch; Transmission speed: 115200/57600/38400/19200/9600/4800bps Connector shape: D-Sub 9 pin (male); Application: For communication with controllers and a barcode reader; For connecting a personal computer (Project data read/write, FA transparent function)		1 channel, transmission speed: 115200, 57600, 38400, 19200, 9600, 4800 bps Connector shape: D-sub 9-pin (male)
	Ethernet	Data transfer method: 100BASE-TX, 10BASE-T, 1ch; Connector shape: RJ-45 (modular jack); Application: For communication with controllers For connecting a personal computer (Project data read/write, FA transparent function)		2 channels, data transfer method: 100BASE-TX, 10BASE-T Connector shape: RJ45 (modular jack) AUTO MDI/MDI-X
	USB	USB (Full Speed 12Mbps), 1ch; Connector shape: Mini-B; Application: For connecting a personal computer (Project data read/write, FA transparent function)		USB (Host): 1 channel (rear face) USB 2.0 (High-Speed 480 Mbps), Connector shape: USB-A; USB (Device): 1 channel (front face); USB 2.0 (High-Speed 480 Mbps), Connector shape: USB Mini-B
	SD Card	SD compliant, 1ch; Supported memory card: SDHC memory card, SD memory card Application: Project data read/write, logging data save		1 channel, SDHC compliant (max. 32 GB)
Wireless LAN Communication Unit Interface		-		For installing a wireless LAN communication unit
Sound Output Interface		-		1 channel, WAV format (16 bits, 8.000 kHz/16.000 kHz, monoral); Applicable plug: ø3.5 stereo mini-plug (3-prong)
Buzzer Output		Single tone (LONG/SHORT/OFF adjustable)		Single tone (tone and tone length adjustable)
Protective Structure		IP65F (Only the front part of the panel)		Front: IP67F (*6,*8) In control panel: IP2X
Ext. Dimensions (W x H x D) mm (inch)		272 x 214 x 56 (10.71 x 8.43 x 2.21)	206 x 155 x 50 (8.11 x 6.11 x 1.97)	299 x 219 x 48 (11.77 x 8.62 x 1.89)
Panel Cut Dims (W x H x D) mm (inch)				290.5 x 210.5 x 210.5 (11.44 x 210.5 x 8.29)
Weight (Excl. Mounting Brackets) (kg)		1.3	0.9	1.7 (3.7 lb)
Compatible Software Package		GT Designer3 Version1.250L or later (English Version)		GT Works3 Version1.290C or later

External Dimensions

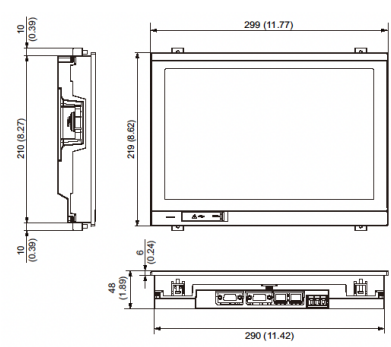
GS2110-WTBD-N



GS2107-WTBD-N



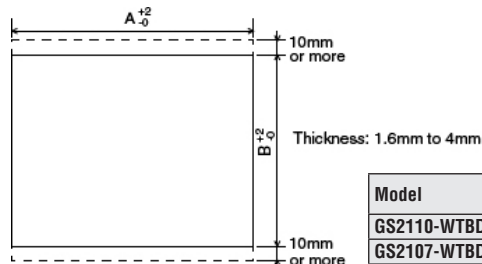
GS2512-WXTBD



Panel Cutting Dimensions

Open an installation hole on the control panel with the dimensions as shown below. For the mounting brackets, space of 10mm is required above the top and below the bottom of the hole.

Horizontal format (Rotate the image 90 degree for vertical format)



Model	A	B
GS2110-WTBD-N	256	200
GS2107-WTBD-N	191	137
GS2512-WXTBD	290.5	210.5

RS-422 Cable

Product Name	Model Number	Cable Length	Specifications	Stocked Item
QnA/FXCPU Direct Connection Cable Computer Link Connection Cable	GT01-C30R4-25P	3m	Between QnA/ACPU/motion controller CPU (A Series)/	S
	GT01-C100R4-25P	10m	FXCPU and GOT;	-
	GT01-C200R4-25P	20m	Between RS-422 conversion cable (FA-CNV_CBL) and GOT; Between serial communication module and GOT	-
	GT01-C300R4-25P	30m	[Between D-sub 25-pin and D-sub 9-pin]	-
Computer Link Connection Cable	GT09-C30R4-6C	3m	Between serial communication module and GOT; Between computer link module and GOT [Between loose wire and D-sub 9-pin]	-
	GT09-C100R4-6C	10m		-
	GT09-C200R4-6C	20m		-
	GT09-C300R4-6C	30m		-
FXCPU Direct Connection Cable FXCPU Communication Expansion Board Connection Cable	GT01-C10R4-8P	1m	Between FXCPU and GOT; Between FXCPU communication expansion board and GOT [Between MINI-DIN 8-pin connector and D-sub 9-pin]	S
	GT01-C30R4-8P	3m		S
	GT01-C100R4-8P	10m		S
	GT01-C200R4-8P	20m		-
	GT01-C300R4-8P	30m		-

RS-232 Cable

Product Name	Model Number	Cable Length	Specifications	Stocked Item
Q/LCPU Direct Connection Cable	GT01-C30R2-6P	3m	Between Q/LCPU and GOT [Between MINI-DIN 6-pin and D-sub 9-pin]	S
FXCPU Communication Expansion Board Connection Cable FXCPU Communication Special Adapter Connection Cable	GT01-C30R2-9S	3m	Between FXCPU communication expansion board and GOT; Between FXCPU communication special adapter and GOT [Between D-sub 9-pin and D-sub 9-pin]	S
FXCPU Communication Special Adapter Connection Cable	GT01-C30R2-25P	3m	Between FXCPU communication special adapter and GOT [Between D-sub 25-pin connector and D-sub 9-pin]	-
Computer Link Connection Cable	GT09-C30R2-9P	3m	Between serial communication module and GOT Between computer link module and GOT [Between D-sub 9-pin and D-sub 9-pin]	-
	GT09-C30R2-25P	3m	Between serial communication module and GOT Between computer link module and GOT [Between D-sub 25-pin and D-sub 9-pin]	-

USB Cable

Product Name	Model Number	Cable Length	Specifications	Stocked Item
Data Transfer Cable	GT09-C30USB-5P	3m	Between personal computer (screen design software) and GOT [Between USB-A and USB Mini-B]	S

Mounting Hardware

Model Number	Specifications	Stocked Item
D808D197G53	GS2110-WTBD-N	S
K21H70500007	GS2107-WTBD-N	-
K01H70500292	GS2512-WXTBD	-