



for a greener tomorrow

# Educational Robot Cell by Mitsubishi Electric

Completely Customizable - Featuring Mitsubishi Electric's Class-Leading RV2 & RV4 Series Robots

## Equipment Description

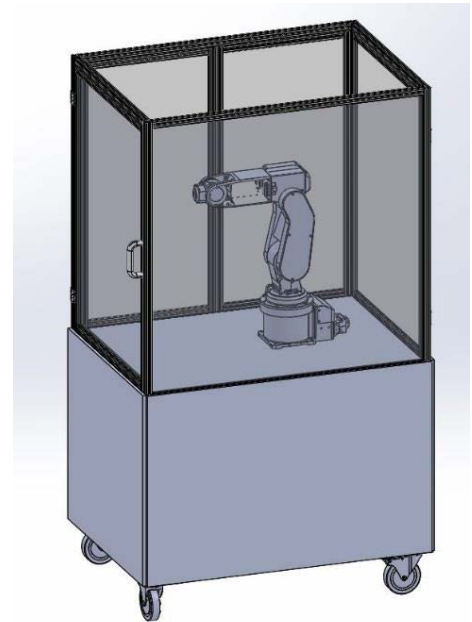
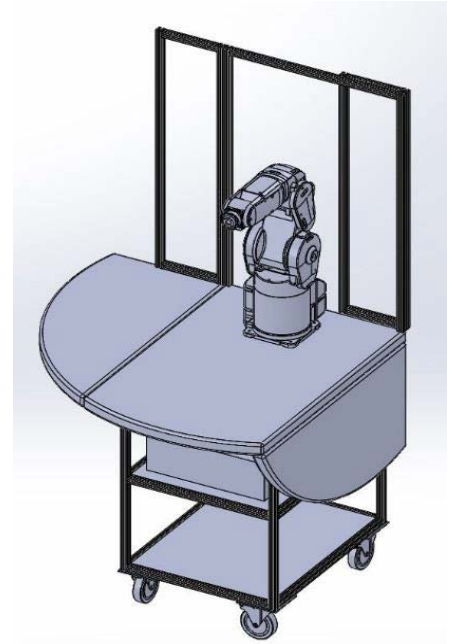
Introducing the Mitsubishi Electric Educational Robot Cell. With two options for high schools and technical schools, Mitsubishi Electric offers the flexibility of total customization by the user in the areas of safety, gripping, and integration.

## Uses

Featuring Mitsubishi Electric's RV2 and RV4 industrial robots, this cost-effective robot cell allows for quick & easy setups, high performance & accuracy, safety-first functionality, robust learning, and maximum portability for most high school and technical college academic programs. Students can also learn the one-step process of integrating the robot cell to a CNC machine using Mitsubishi's Direct Robot Control function – all done with one single Ethernet cable.

## Robot Specifications

Payload Capacity	3 or 4 kg
Maximum reach	(649 mm)
Axis	6 (J1-J6)
Maximum Speed	9027 mm/sec
Position Repeatability	0.02mm
Controller Type	CR750 or CR800
Software	RT Tool Box 3



## MITSUBISHI ELECTRIC AUTOMATION, INC.

500 Corporate Woods Parkway, Vernon Hills, IL 60061  
Ph 847.478.2500 • Email: CNCtraining@meau.com

[us.MitsubishiElectric.com/fa/en](http://us.MitsubishiElectric.com/fa/en)

February, 2019 • ©2019, Mitsubishi Electric Automation, Inc. • Specifications subject to change without notice. • All rights reserved