



for a greener tomorrow



WC6 Series Split-Core Current Transformers

Data Sheet

WC6 Series split-core current transformers from Wattcore have a big window size, making it suitable for high load and large bus-bar applications. Accessibility from either side allows electricians to open/close easily during metering & energy management installations and retrofits without disconnecting the power-line. WC Series is designed and calibrated for use with the Mitsubishi Electric family of meters including: ME96-SSE-MB, ME96-SSR-MB and ME96-SSH-MB.



Mechanical

Window Size	2.0" x 5.5" (50.8 mm x 139.7 mm)
Wire Leads	6 ft (1.8m) 16AWG blk/wht twisted UL1015 105 °C 600V
Operating Temperature	-15 °C to 65 °C (90% Rel. Hum.)
Altitude	6,600 ft (2012 m)
Weight	2.2 lbs (1.0 kg)
Keying Hole	Plastic rivet for locking or date tag
Ergonomic	EZ-Open on either side, no tool

Electrical

Input (max.)	2000A, AC Sine-wave 50/60Hz
Output	5A, full-scale
Accuracy (typical)	0.5%
Linearity	10% to 120%
Polarity	White (X1 - Hi), Black (X2 - Low)
Phase Direction	Arrow points toward the load
Frequency	40 to 400Hz

Regulatory Standards

Voltage Rating	600VAC, Category III
Construction	UL94V-0 flame retardant, thermoplastic
Standards	IEEE C57.13 & IEC 60044-1 UL 61010-1 & CAN/CSA C22.2 IEC 61010-2 & ANSI C12.20

Models

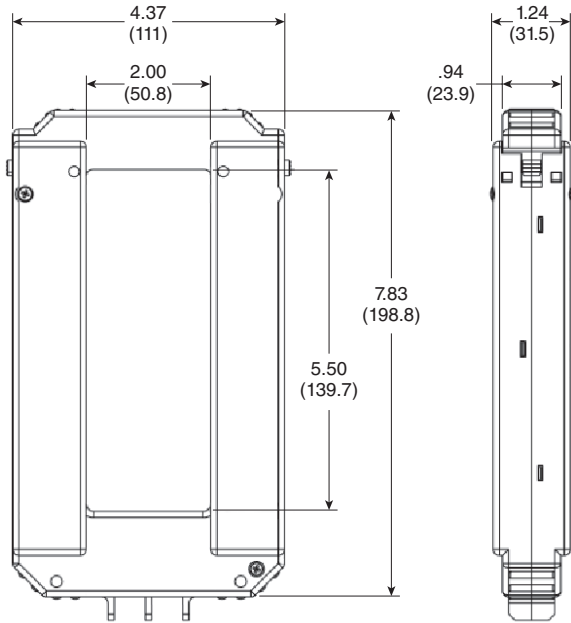
PART NUMBER	RATIO	ACCURACY	BURDEN (VA)
WC6-600-RA5-ME	600:5A	0.5	3.75
WC6-800-RA5-ME	800:5A	0.5	4.00
WC6-1000-RA5-ME	1000:5A	0.5	5.00
WC6-1200-RA5-ME	1200:5A	0.5	5.25
WC6-1600-RA5-ME	1600:5A	0.5	6.25
WC6-1800-RA5-ME	1800:5A	0.5	7.75
WC6-2000-RA5-ME	2000:5A	0.5	8.00

EZ-Open is a trademark of WATTCORE LLC

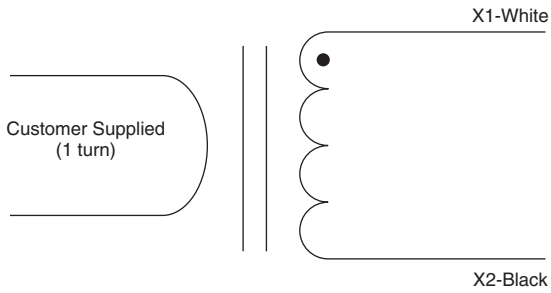
L-VH-05010
F72-155-SLSMKTG-004-C

WC6 Series Split-Core Current Transformers – Data Sheet

Dimensions in. (mm)



Schematic



MITSUBISHI ELECTRIC AUTOMATION, INC.

500 Corporate Woods Parkway, Vernon Hills, IL 60061
Ph 847.478.2100 • Fx 847.478.2253

us.MitsubishiElectric.com/fa/en

January, 2016 • ©2016, Mitsubishi Electric Automation, Inc.
Specifications subject to change without notice. • All rights reserved • Made in USA

L-VH-05010
F72-155-SLSMKTG-004-C